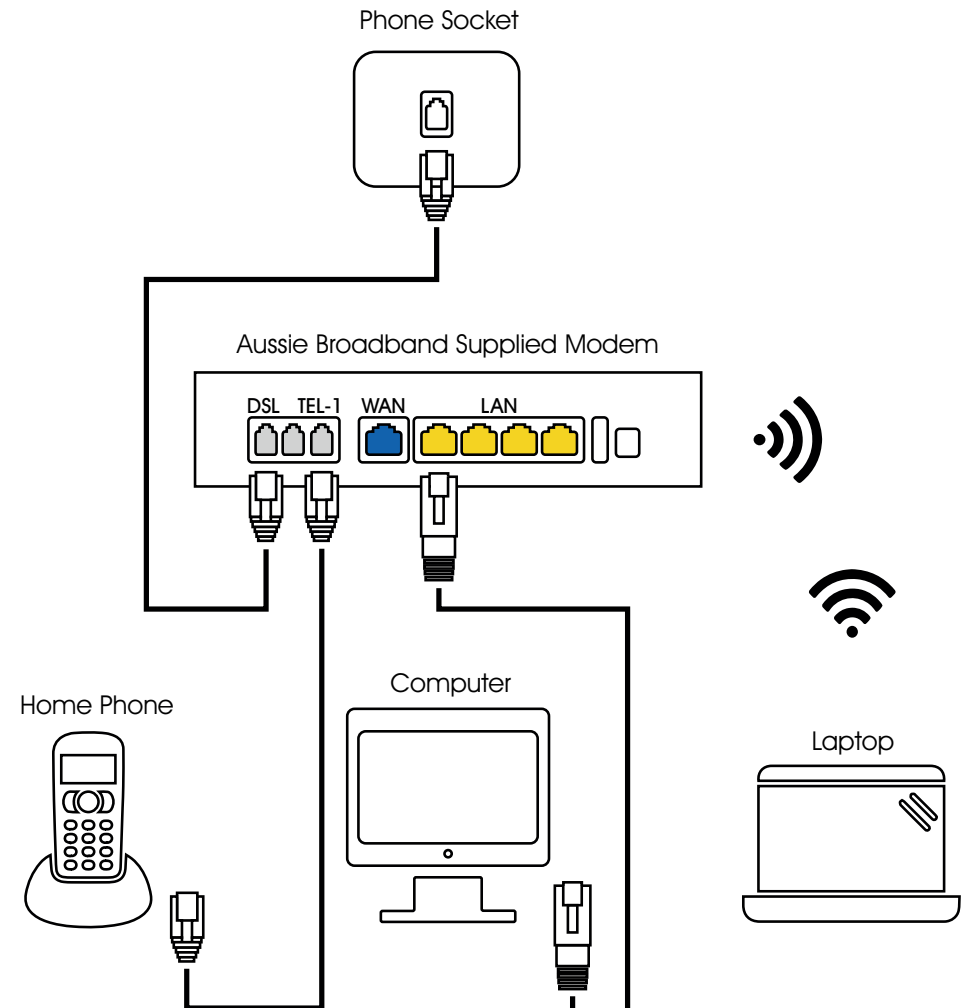


Aussie Broadband nbn™

FTTN/B self installation guide



For more information or
technical support call 1300 880 905

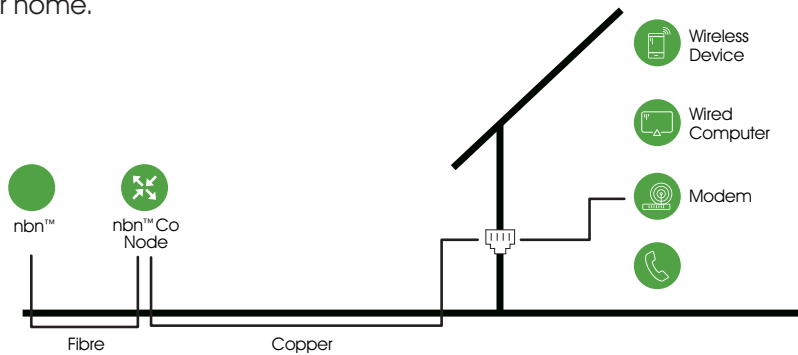
aussiebroadband.com.au

Getting to know your nbn™

Configuring your modem/router

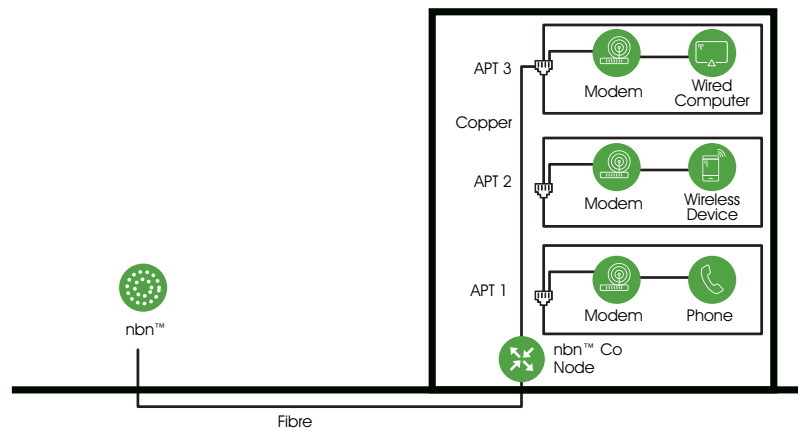
What is FTTN?

FTTN stands for Fibre to the Node. The fibre optic cable is run from the point of interconnect (POI) to the nearest node, or green cabinet on the street, to your home. From the node, the signal then travels down the existing copper lines to your home.



What is FTTB?

FTTB stands for Fibre to the Building. The fibre optic cable runs all the way to a shared point in the building's communications room. From there, the connection travels through existing copper lines into each unit/apartment in the building.



Login to the modem/router

1. Open a web browser.
2. Enter **192.168.20.1** into the address bar.
3. You will be prompted to either go through the setup wizard or skip to the main menu. Click "No, skip to main menu." and enter your username and password. If your modem/router has been factory reset, the username and password should both be 'admin'.
4. Click 'Internet' on the left-hand side of your screen.
5. Click 'Create New'.
6. For the 'Description' write 'Aussie Broadband'. Under 'Internet Service' select 'VDSL'. Then under 'Connection Type' select 'Dynamic IP'.
7. Click on the 'Apply' button."
8. Congratulations, you should now be able to access the internet (refer to page 3 of your Aussie Broadband nbn™ Connection guide for wireless details).

Note – this is only needed if you have factory-reset your modem/router; otherwise, Aussie Broadband has pre-configured hardware specifically for your service.



Instructions are subject to change based on firmware updates. For the latest step-by-step instructions (with images) visit aussiebroadband.com.au/fttnmodem

For more information or technical support call 1 300 880 905
aussiebroadband.com.au